

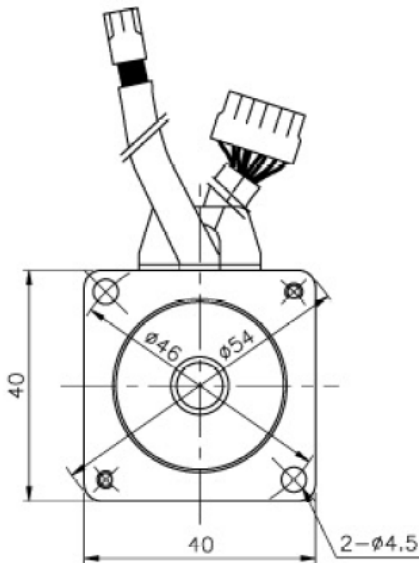
**(M) metronix APM-SA Series Rotary Brushless motor  
With Copley ACJ-090-09 AccelNet Micro Panel Amplifier**



## Features

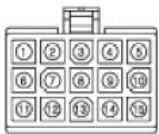
- Rated Power 30W, 50W, and 100W with 24Vdc to 75Vdc operation.
- Torque from 95mNm to 318mNm Continuous
- Rated speed 3000rpm
- Commutating Encoder 2048 line count (8192 counts/rev) standard
- Optional 24V Brake

### Motor Data



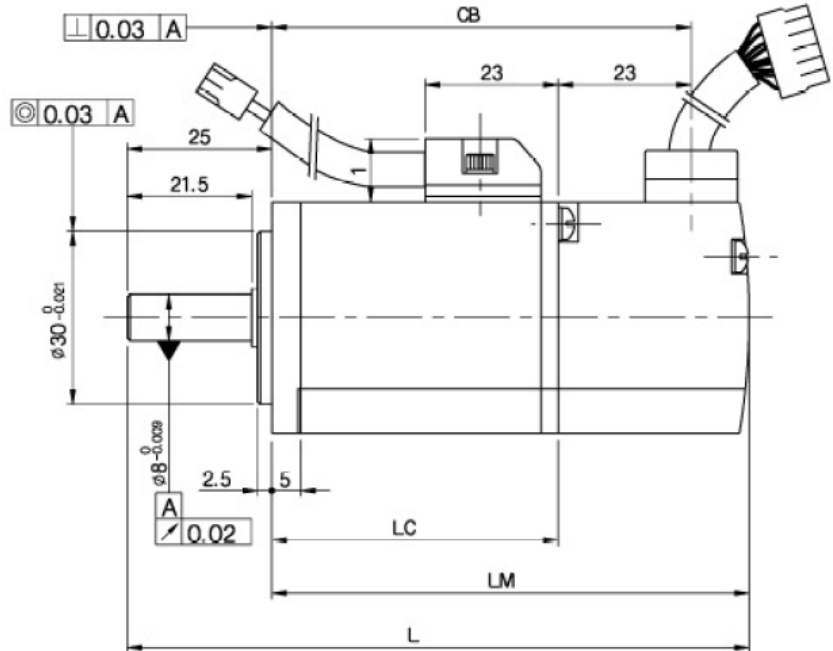
Pin No	Color	Phase
1	Red	U
2	White	V
3	Black	W
4	Green	Ground

<Connector Pin for Power Supply>



Pin No	Phase	Pin No	Phase
1	A	9	V
2	A	10	V
3	B	11	W
4	B	12	W
5	Z	13	DC +5V
6	Z	14	0V
7	U	15	SHIELD
8	U		

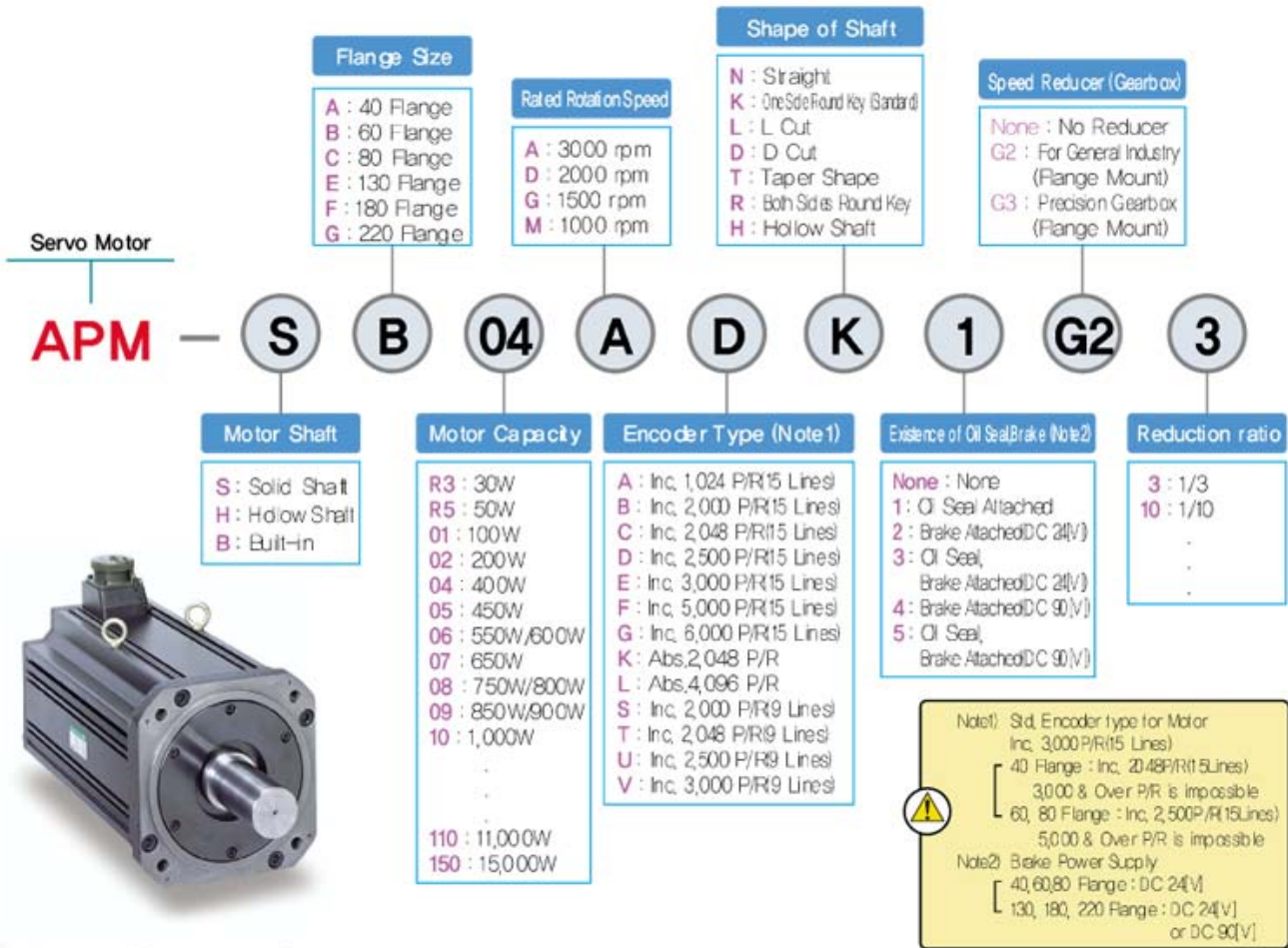
<Encoder Connector Pin>



Model	External Dimension				Weight(kg)
	L	LM	LC	CB	
SAR3A	100.5	77.5	42.5	65.5	0.3
SAR5A	107.5	82.5	49.5	72.5	0.4
SA01A	124.5	99.5	66.5	89.5	0.52

Model	Power Watts	Jm Kgcm <sup>2</sup>	Kt Nm/Arms	Ke V/krpm	R	L mH	Tc Nm	Rated Speed rpm	Maximum rpm
SAR3A	30	0.0167	0.1009	10.6	11.7	8.5	0.095	3000	5000
SAR5A	50	0.0245	0.1448	15.2	9.4	8.2	0.159	3000	5000
SA01A	100	0.0435	0.2527	26.4	6.8	6.7	0.318	3000	5000

8 Pole



ACJ-090-09 Accelnet Micro Panel Wiring.

